

GS65011-EVBEZ

GaN E-HEMT EZ Drive™ Open Loop Boost Evaluation Board

User's Guide



Visit www.gansystems.com for the latest version of this user's guide.



**DANGER!**

Electrical Shock Hazard - Hazardous high voltage may be present on the board during the test and even brief contact during operation may result in severe injury or death. Follow all locally approved safety procedures when working around high voltage.

Never leave the board operating unattended. After it is de-energized, always wait until all capacitors are discharged before touching the board.

This board should be handled by qualified personnel ONLY.



PCB surface can become hot. Contact may cause burns. Do not touch!

**CAUTION:**

This product contains parts that are susceptible to damage by electrostatic discharge (ESD) or exposure to voltages in excess of the specified voltage. Always follow ESD prevention procedures when handling the product. Avoid applying excessive voltages to the power supply terminals or signal inputs or outputs

Introduction

The GS65011-EVBEZ Evaluation Board (EVB) is an open loop Boost converter and was designed to help customers evaluate GaN Systems' EZDrive™ solution with a GaN Systems' E-HEMT.

The EZDrive™ circuit is a low-cost, easy way to implement a GaN driving circuit using a standard MOSFET controller with integrated driver. The EZDrive™ circuit provides design control for the optimization of efficiency and EMI. It is adaptable to any power level, any frequency, and any LLC and PFC controller.

The board is populated with GaN Systems' GS-065-011-1-L, a 5×6 mm PDFN package Enhancement-Mode High Electron Mobility Transistor (E-HEMT).

Evaluation Board Contents and Requirements

Kit Contents

The GS65011-EVBEZ includes the following hardware.

Table 1 • GS65011-EVBEZ Evaluation Kit Contents

Quantity	Description
1	GS65011-EVBEZ GaN E-HEMT evaluation board assembly

Hardware Requirements

In order to evaluate the performance of the evaluation board, the following equipment is required:

- High speed digital oscilloscope
- DC load (power resistor or electrical load)
- High voltage DC power supply
- Low voltage DC power supply
- DC test leads

Evaluation Board Assembly Overview

The EVB is assembled with the EZDrive™ circuit and one GS-065-011-1-L GaN E-HEMT. Headers are included for power connections. A probe connector and vias are included for waveform measurements.

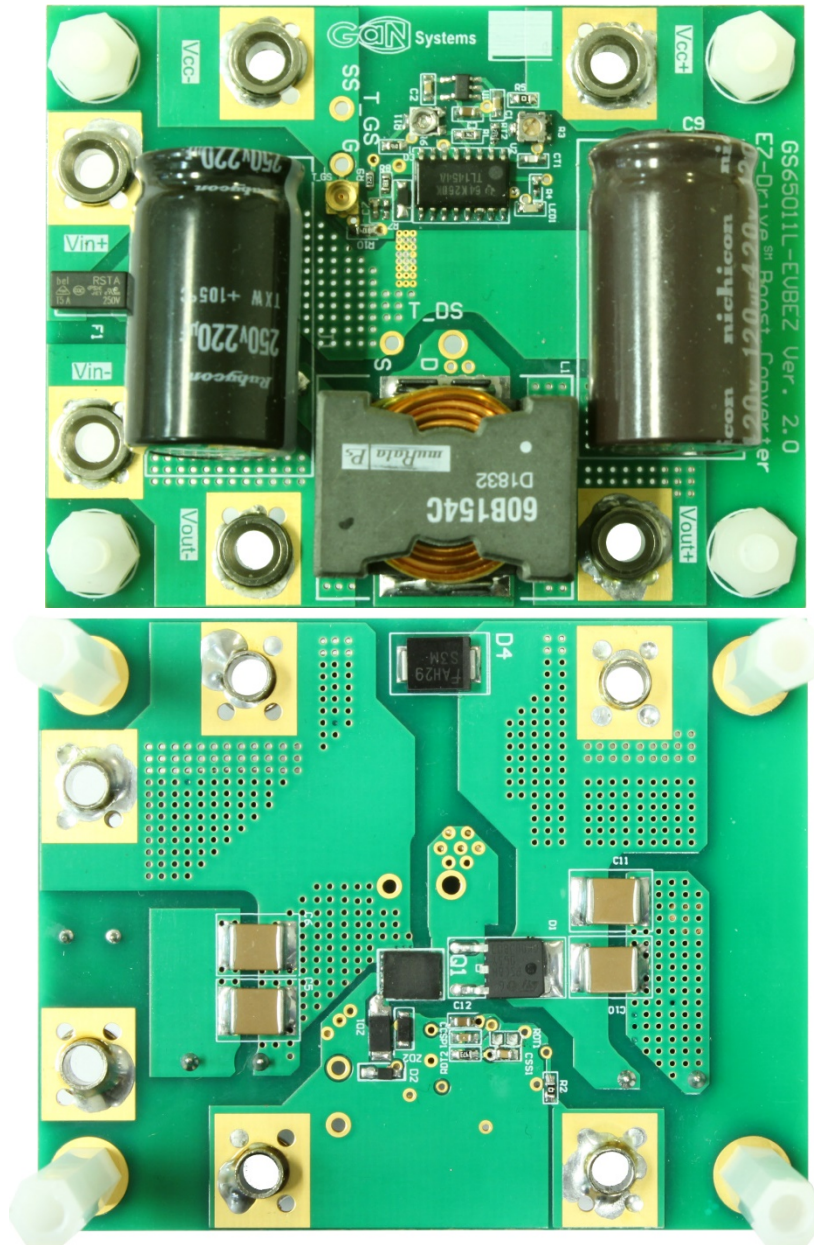


Figure 1 • GS65011-EVBZ Evaluation Board Assembly

Block Diagram and Schematic

The block diagram and schematic of the evaluation board are provided in Figures 2 and 3.

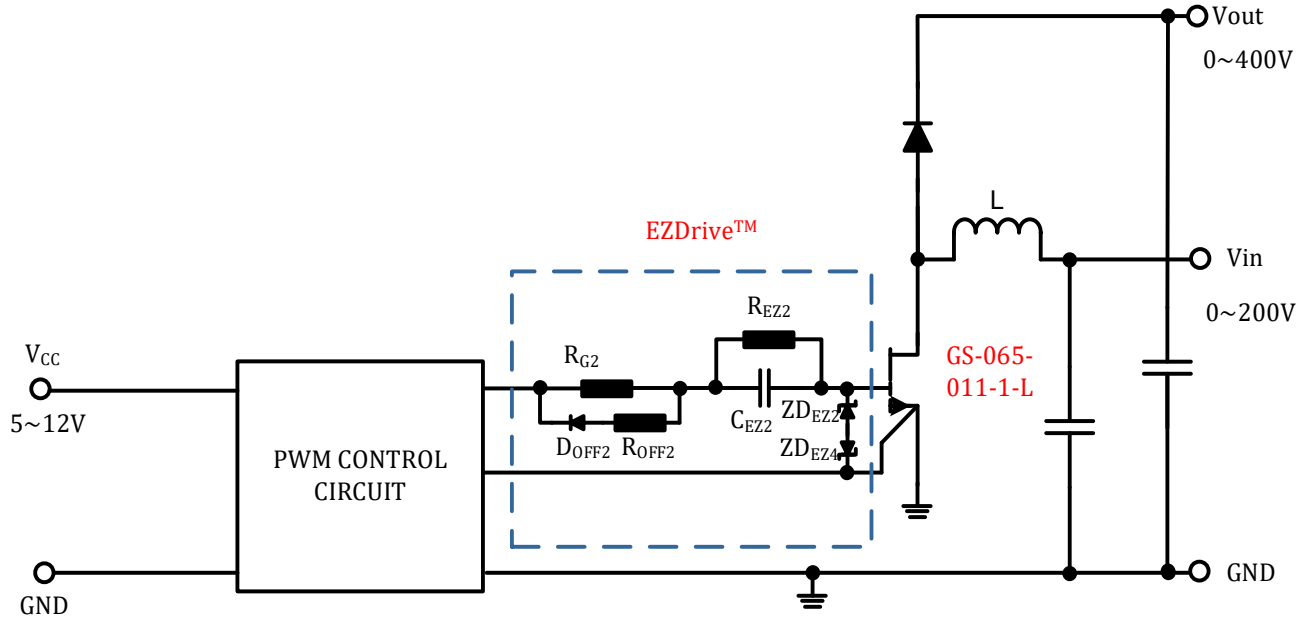


Figure 2 • GS65011-EVBZ Block Diagram

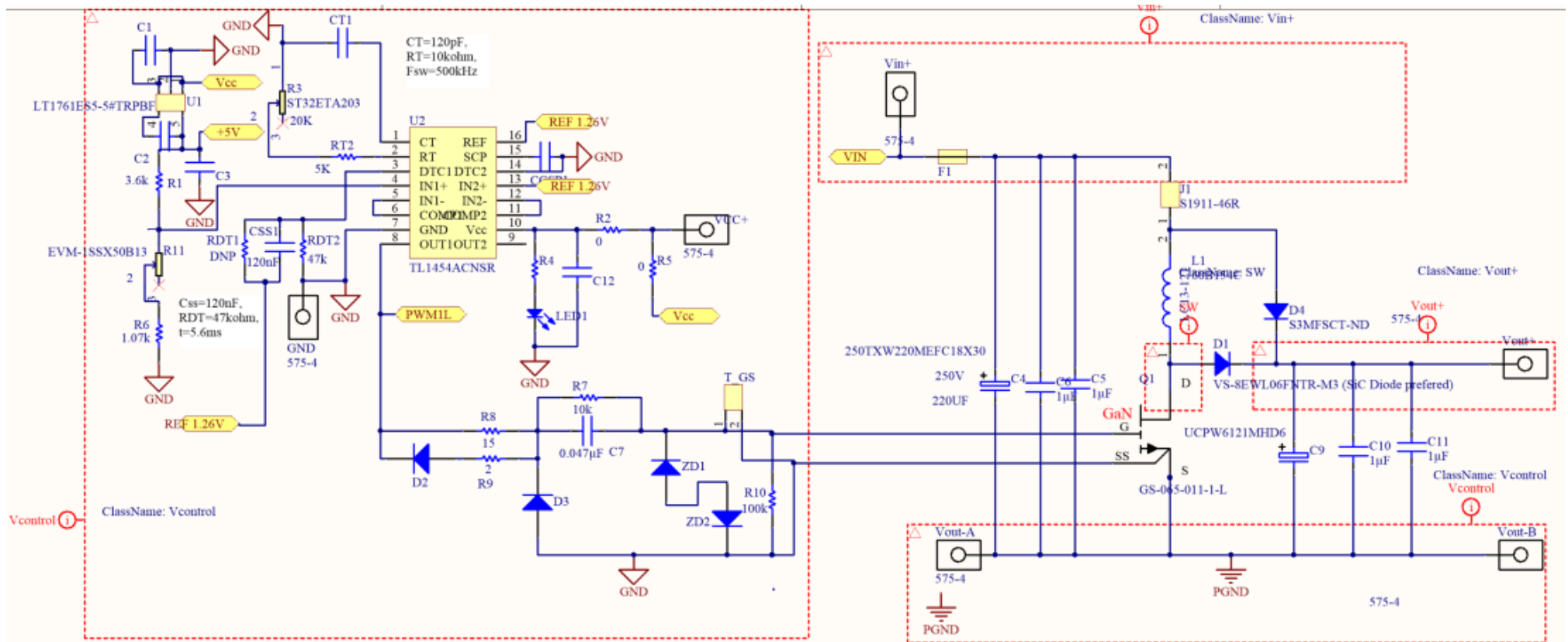


Figure 3 • GS65011-EVBZ Schematic

Circuit Description

The GS65011-EVBEZ EVB is a GaN-based open-loop DC/DC Boost converter. It is assembled with the EZDrive™ GaN driving circuit, a Si MOSFET PWM controller (TL1454ACNSR) and a 650V 5×6 mm PDFN package GaN E-HEMT, (GS-065-011-1-L). The PWM control signal is generated internally by the PWM controller, U2.

The EZDrive™ uses a Si MOSFET controller to drive a GaN HEMT which has a lower threshold voltage. The EZDrive™ circuit is shown in the dotted box in **Figure 2**. It is a low-cost, low component-count circuit composed of two Zener diodes, one capacitor, three resistors and one diode.

Z_{DEZ1} , Z_{DEZ2} clamp the positive and negative gate drive voltages. C_{EZ} holds a negative voltage for GaN E-HEMT turn-off. R_{EZ} sets the minimum driving current required to keep the GaN E-HEMT fully turned on. R_G controls the turn-on speed and R_{OFF} controls the turn-off speed.

The two operation modes for EZDrive™ are:

- **Mode 1:** Assuming the V_{CC} of the controller is 12V, controller output is ON, the driving voltage on the GaN E-HEMT is clamped to 6V by Zener diode Z_{DEZ} . The rest of the V_{CC} , 6V, is stored across the capacitor C_{EZ} .
- **Mode 2:** The voltage stored in the C_{EZ} is applied to the gate reversely, so the GaN can be turned off quickly.

Through this circuit, the Si MOSFET PWM controller's output voltage is converted to the proper voltage thresholds for driving GaN Systems' E-HEMTs.

A Boost converter's output voltage is higher than the input voltage, V_{IN} . Under high duty cycle and low load/no load operating conditions, the output voltage will rise and potentially damage the GaN device. To avoid an overvoltage on the GaN device, two actions are recommended. First, always apply a load at the output voltage, V_{OUT} . Secondly, pre-set the PWM signal before applying power to V_{IN} . **Figure 4** shows the block diagram of PWM signal generation inside the TL1454ACNSR.

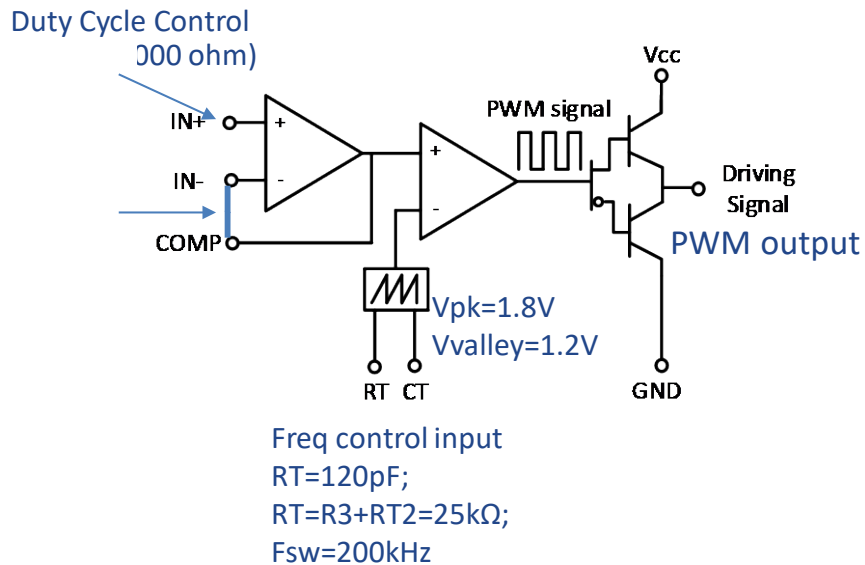


Figure 4 • GS65011-EVBEZ PWM signal adjustment diagram

The PWM signal is adjusted by tuning the controller's peripheral resistors, R11 and R3. Use the **Table 1** to set the duty cycle with R11. Use **Table 2** to set the switching frequency with R3. Select the appropriate values according to your own specifications and requirements. For a safe start up, 10% duty cycle and frequency 250kHz is recommended.

Table 1 • PWM Duty Cycle Setting up table

	R11 (Ω)	IN1+ (V)	Duty Cycle
Case 1	1000	1.83	0 %
Case 2	850	1.74	10 %
Case 3	500	1.52	47 %
Case 4	0	1.15	100 %

Table 2 • PWM Frequency Setting up table

	f_{sw_MIN}	f_{sw}	f_{sw_MAX}
R3 (k Ω)	20	5	0
CT (pF)	120	120	120
f_{sw} (kHz)	200	500	900

Quick Start Guide

This chapter will guide the user through the evaluation board overview, hardware operation, test setup and test results.

Evaluation Board Overview

The evaluation board contains:

- Connectors for both high voltage ($0\text{Vdc} < V_{\text{IN}} < 200\text{Vdc}$) and low voltage ($5\text{Vdc} < V_{\text{CC}} < 12\text{Vdc}$) power supplies
- Connector for the output load
- User-friendly probe connector and vias for V_{GS} , V_{DS} measurement and other performance verification
- The jumper for current sensing

The operating specifications of the evaluation board are as follows:

- The recommended input voltage operating range is $0\text{ V} < V_{\text{IN}} < 200\text{ V}$. (The maximum input voltage is limited by the output voltage of Boost converter, which is further subject to operating mode, the duty cycle and the load value.)
- Frequency of operation of 200 kHz - 900 kHz.
- The maximum load current depends on die temperature and is further subject to switching frequency and operating voltage. Forced air cooling or heat sinking can increase current rating.

Evaluation Test Setup

Figure 5 shows the test setup for the GS65011-EVBEZ evaluation board. Make sure that the specified safety precautions mentioned in “Safety Precautions” on page 2 are followed.

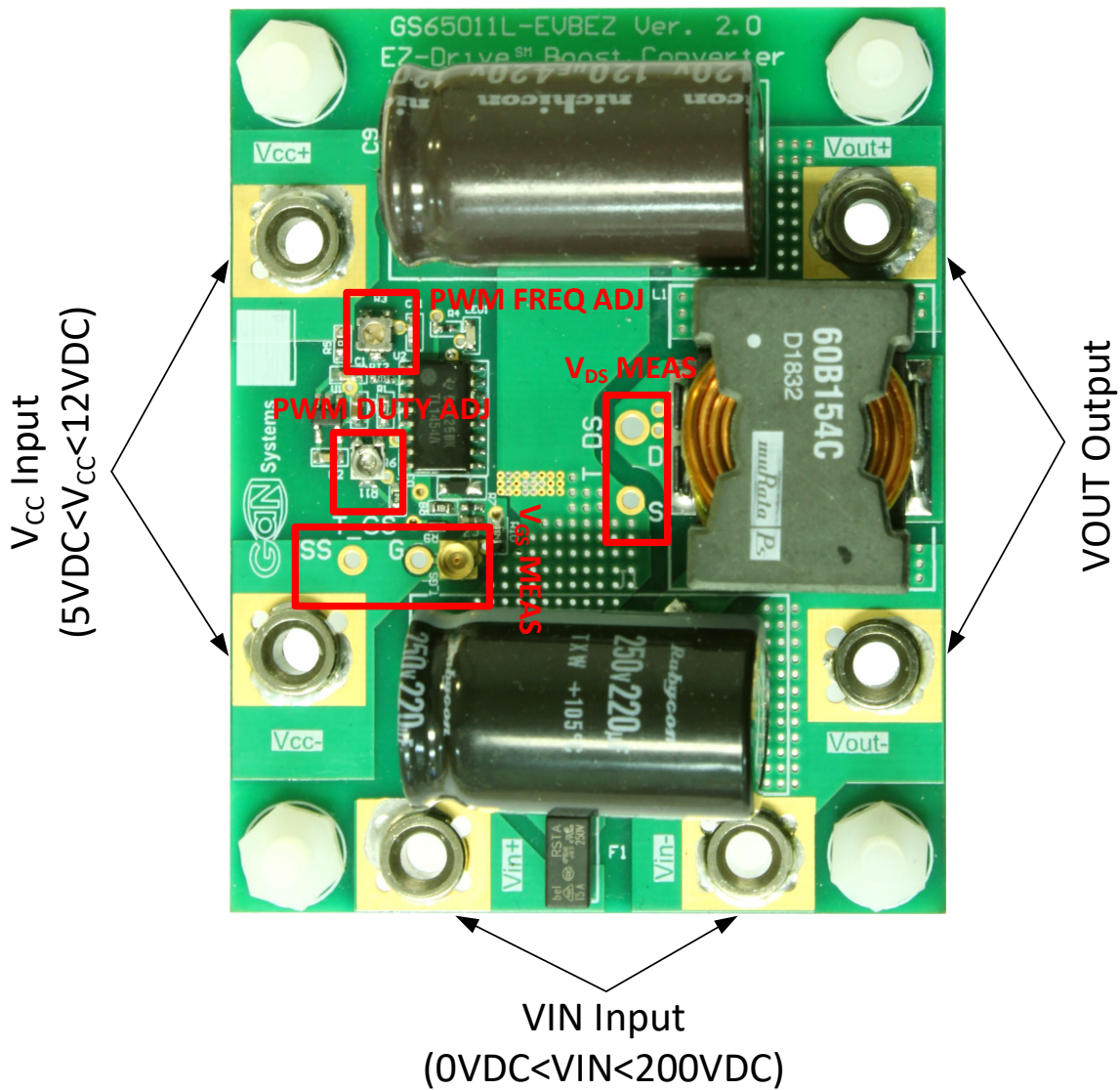


Figure 5 • GS65011-EVBEZ Test Setup

Hardware Operation

The general guidelines for operating the evaluation board are listed in this section. Follow the steps to configure the hardware properly.

- 1) Pre-set the PWM frequency and the duty cycle (by tuning R3 and R11), according to the PWM signal look-up tables. Start with 10% duty cycle and frequency 250kHz.
- 2) Apply V_{CC} ($5V_{DC} < V_{CC} < 12V_{DC}$) to V_{CC+} and V_{CC-} , use T_GS (MMCX JACK) or G/SS (VIAS) for V_{GS} monitoring
- 3) Check the V_{GS} waveform and fine-tune the PWM frequency (by tuning R3) and duty cycle (by tuning R11)
- 4) For taking an efficiency measurement, add a current meter and use V_{in+} and V_{in-} for V_{IN} and use V_{out+} and V_{out-} for V_{OUT} measurement.
- 5) Always connect a load (E-load) to V_{out+} and V_{out-}
- 6) Apply V_{DC} to V_{in+} and V_{in-} and sweep the voltage from low (0V) to max. Monitor the output voltage and device temperature. Make sure V_{OUT} is lower than 400V, and the GaN device temperature is lower than 150°C. Note: the maximum input voltage is limited by the output voltage of the Boost converter, which is dependent on the operating mode, the duty cycle and the load value.
- 7) After testing, turn off V_{IN} first, then V_{CC} across V_{CC+} and V_{CC-} last.

Note: When measuring the high frequency content switch node, care must be taken to avoid long ground leads. Measure the switch node by placing the oscilloscope probe tip through the Drain via and Source via (designed for this purpose). See **Figure 6** for proper probe technique and **Figure 5** for the location of V_{GS} and V_{DS} measure vias. Use a high voltage passive/differential probe for the V_{DS} measurement.

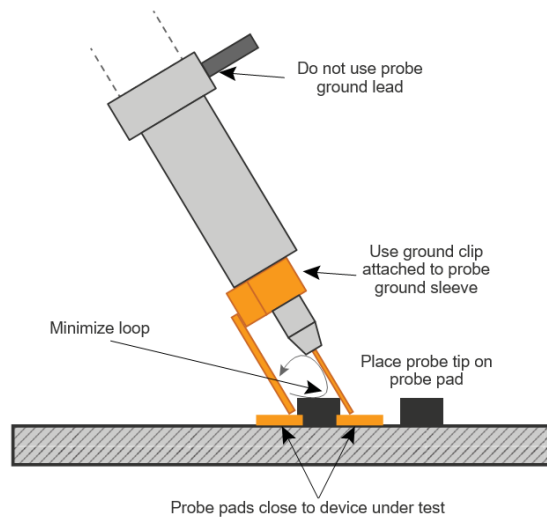


Figure 6 • Proper Oscilloscope Probe Measurement Technique

Note: A jumper is placed between the V_{in+} signal and the inductor (beneath the input capacitor C4) The jumper can be replaced by a loop of jumper wire to take the inductor current measurement.

Figure 7 shows the jumper location. **Figure 8** shows how to replace the jumper with a loop of jumper wire to take the current measurement with a current probe. The jumper wire loop and the current probe are not included in the Evaluation Kit.



Figure 7 • Current Sensing Jumper Location

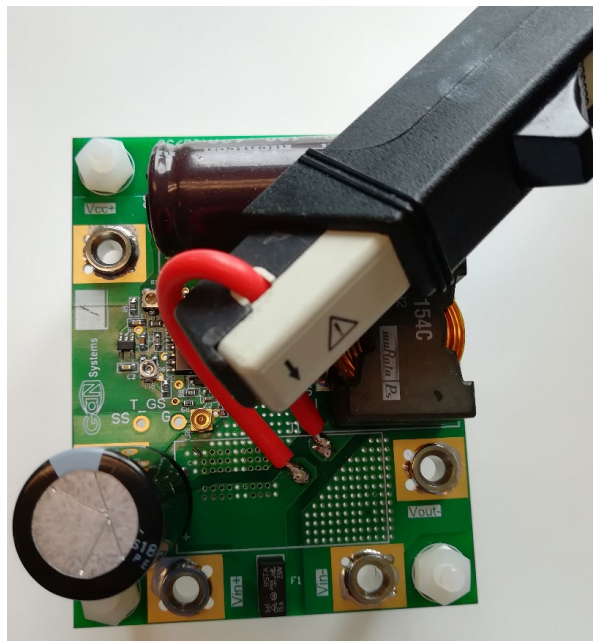
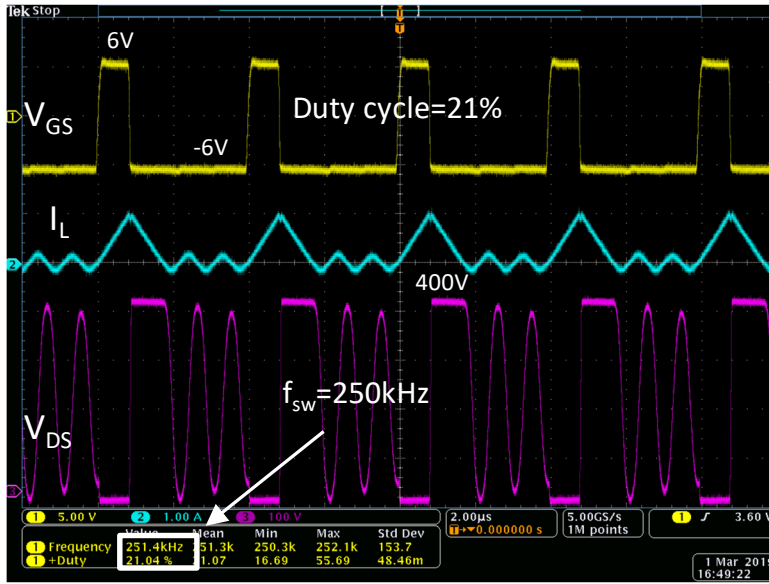


Figure 8 • Inductor Current Probe Insert Example

Evaluation Results

The evaluation results are shown in Figures 7 through 10.

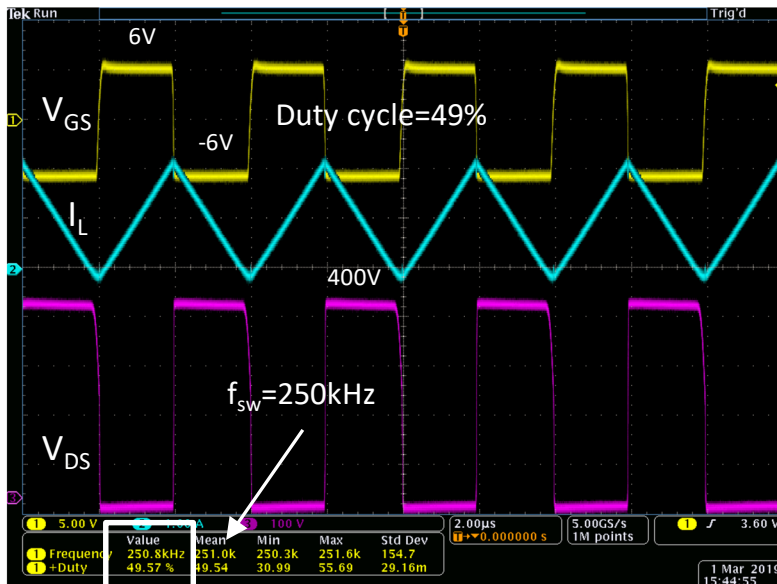
Figure 7 • Test Results at half load



P_{OUT}	Half load (100W)
V_{IN}	200V
V_{OUT}	400V
Duty cycle	21%
f_{sw}	250kHz
Efficiency	96%

Test conditions: $V_{IN}=200V$; $V_{OUT}=400V$; $I_{OUT}=0.25A$; $P_{OUT}=100W$ (half load); $f_{sw}=250kHz$

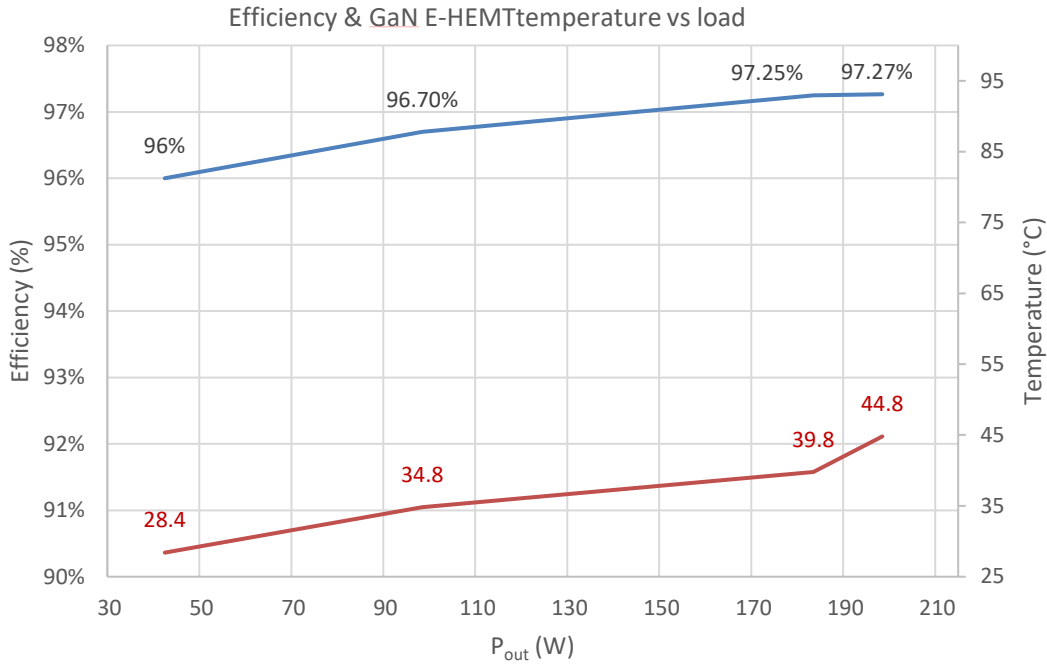
Figure 8 • Test Results at full load



P_{OUT}	Full load (200W)
V_{IN}	200V
V_{OUT}	400V
Duty cycle	49%
f_{sw}	250kHz
Efficiency	97.3%

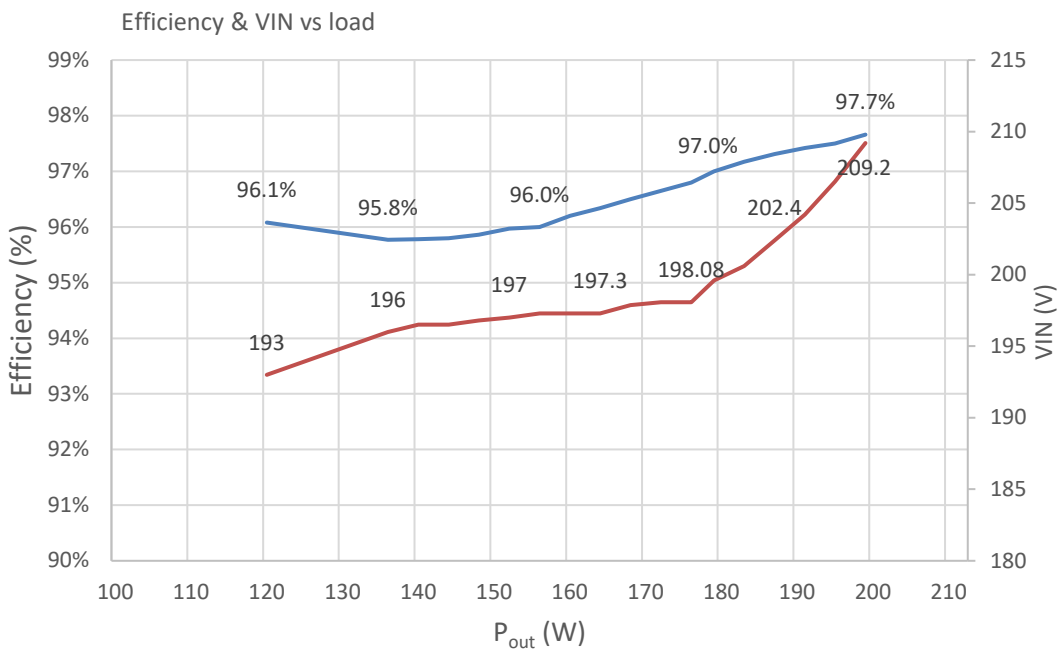
Test conditions: $V_{IN}=200V$; $V_{OUT}=400V$; $I_{OUT}=0.5A$; $P_{OUT}=200W$ (full load); $f_{sw}=250kHz$

Figure 9 • Efficiency & GaN E-HEMT temperature vs load



Test conditions: $V_{IN}=200V$, $V_{OUT}=400V$, $f_{sw}=250kHz$

Figure 10 • Efficiency & V_{IN} vs load



Test conditions: Duty cycle=40.8%, $V_{OUT}=400V$, $f_{sw}=250kHz$

Thermal Considerations

The EVB includes one GS-065-011-1-L GaN E-HEMT. Although the electrical performance surpasses that for traditional silicon devices, their relatively smaller size does magnify the thermal management requirements. The evaluation board is intended for bench evaluation under low ambient temperature and with convection cooling. The addition of heat-sinking and forced air cooling can significantly increase the current rating of these devices, but care must be taken to not exceed the absolute maximum junction temperature of +150 °C.

Note: The EVB does not include any on-board current or thermal protection.

The thermal performance of the EVB is shown in **Figure 10** and **Figure 11**. Infrared thermography was performed under the following conditions, with a fan on at room-ambient temperature:

- $V_{IN} = 200V$
- $V_{OUT} = 400V$
- $I_{OUT} = 0.5A$
- $f_{sw} = 250\text{ KHz}$

Figure 11 • Thermal imaging with an external fan ($T_{MAX} = 44.8^{\circ}C$)



Technical Resources

This document and additional technical resources are available for download from www.gansystems.com.

Evaluation Board/kit Important Notice

GaN Systems Inc. (GaN Systems) provides the enclosed product(s) under the following **AS IS** conditions:

This evaluation board/kit being sold or provided by GaN Systems is intended for use for **ENGINEERING DEVELOPMENT, DEMONSTRATION, and OR EVALUATION PURPOSES ONLY** and is not considered by GaN Systems to be a finished end-product fit for general consumer use. As such, the goods being sold or provided are not intended to be complete in terms of required design-, marketing-, and/or manufacturing-related protective considerations, including but not limited to product safety and environmental measures typically found in end products that incorporate such semiconductor components or circuit boards. This evaluation board/kit does not fall within the scope of the European Union directives regarding electromagnetic compatibility, restricted substances (RoHS), recycling (WEEE), FCC, CE or UL, and therefore may not meet the technical requirements of these directives, or other related regulations.

If this evaluation board/kit does not meet the specifications indicated in the User's Guide, the board/kit may be returned within 30 days from the date of delivery for a full refund. **THE FOREGOING WARRANTY IS THE EXCLUSIVE WARRANTY MADE BY THE SELLER TO BUYER AND IS IN LIEU OF ALL OTHER WARRANTIES, EXPRESSED, IMPLIED, OR STATUTORY, INCLUDING ANY WARRANTY OF MERCHANTABILITY OR FITNESS FOR ANY PARTICULAR PURPOSE. EXCEPT TO THE EXTENT OF THIS INDEMNITY, NEITHER PARTY SHALL BE LIABLE TO THE OTHER FOR ANY INDIRECT, SPECIAL, INCIDENTAL, OR CONSEQUENTIAL DAMAGES.**

The user assumes all responsibility and liability for proper and safe handling of the goods. Further, the user indemnifies GaN Systems from all claims arising from the handling or use of the goods. Due to the open construction of the product, it is the user's responsibility to take any and all appropriate precautions with regard to electrostatic discharge.

No License is granted under any patent right or other intellectual property right of GaN Systems whatsoever. **GaN Systems assumes no liability for applications assistance, customer product design, software performance, or infringement of patents or any other intellectual property rights of any kind.**

GaN Systems currently services a variety of customers for products around the world, and therefore this transaction **is not exclusive**.

Please read the User's Guide and, specifically, the Warnings and Restrictions notice in the User's Guide prior to handling the product. Persons handling the product(s) must have electronics training and observe good engineering practice standards.

This notice contains important safety information about temperatures and voltages. For further safety concerns, please contact a GaN Systems' application engineer.

In Canada:

GaN Systems Inc.
1145 Innovation Drive Suite 101
Ottawa, Ontario, Canada K2K 3G8
T +1 613-686-1996

In Europe:

GaN Systems Ltd., German Branch
Terminalstrasse Mitte 18,
85356 München, Germany
T +49 (0) 8165 9822 7260

In the United States:

GaN Systems Corp.
2723 South State Street, Suite 150,
Ann Arbor, MI. USA 48104
T +1 248-609-7643

www.gansystems.com

Important Notice – Unless expressly approved in writing by an authorized representative of GaN Systems, GaN Systems components are not designed, authorized or warranted for use in lifesaving, life sustaining, military, aircraft, or space applications, nor in products or systems where failure or malfunction may result in personal injury, death, or property or environmental damage. The information given in this document shall not in any event be regarded as a guarantee of performance. GaN Systems hereby disclaims any or all warranties and liabilities of any kind, including but not limited to warranties of non-infringement of intellectual property rights. All other brand and product names are trademarks or registered trademarks of their respective owners. Information provided herein is intended as a guide only and is subject to change without notice. The information contained herein or any use of such information does not grant, explicitly, or implicitly, to any party any patent rights, licenses, or any other intellectual property rights. General Sales and Terms Conditions apply. © 2009-2015 GaN Systems Inc. All rights reserved.