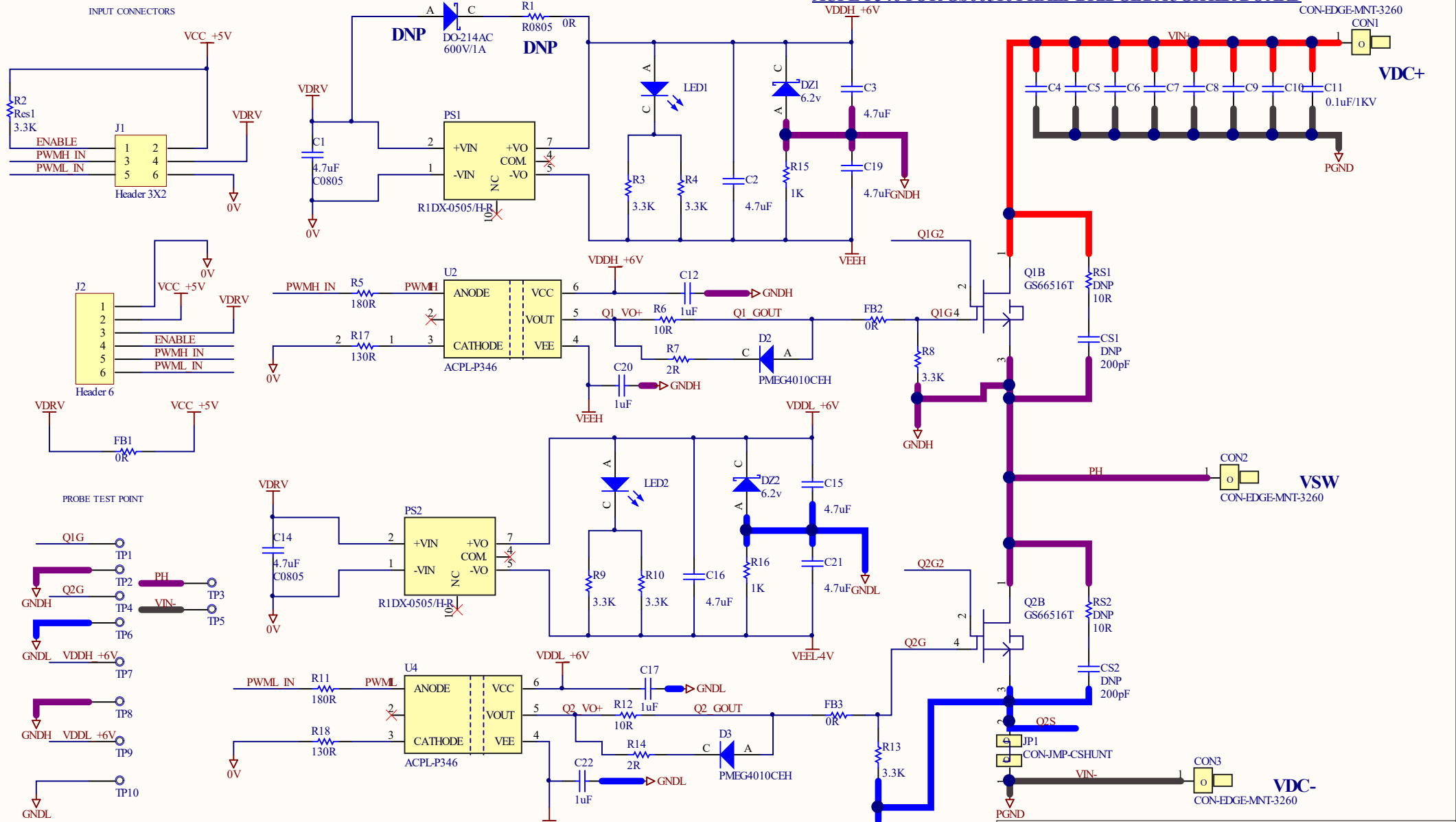


# ACPL-P346 FOR GS66516T HALF BRIDGE DAUGHTER BOARD



Title		
ACPL-P346 FOR GS66516T HALF BRIDGE DAUGHTER BOARD		
Size	Number	Revision
A4	K180518	
Date:	30/8/2018	Sheet of
File:	E:\PCB\K180518_080618_PES1_R1DX_CDR\DRY\COMPARABILITY_Mosfet separate.SchDoc	