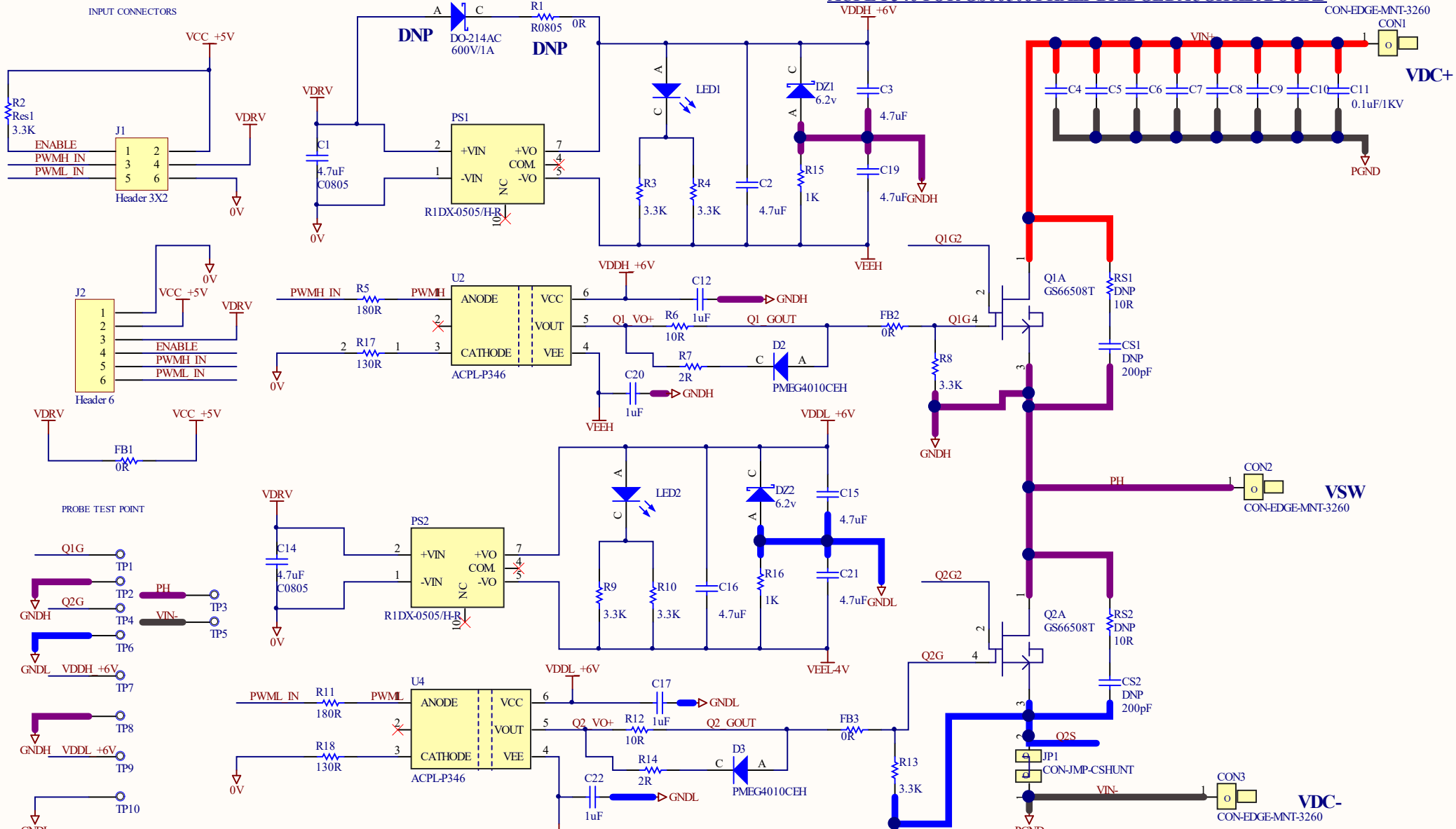


ACPL-P346 FOR GS66508T HALF BRIDGE DAUGHTER BOARD



Title			ACPL-P346 FOR GS66508T HALF BRIDGE DAUGHTER BOARD		
Size	Number	Revision			
A4	K180518				
Date:	30/8/2018	Sheet of			
File:	E:\PCB\K180518_080618_PES1_R1DX_CDR\DRYABILITY.SchDoc				