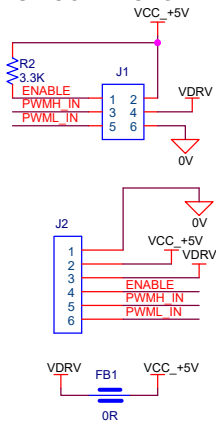
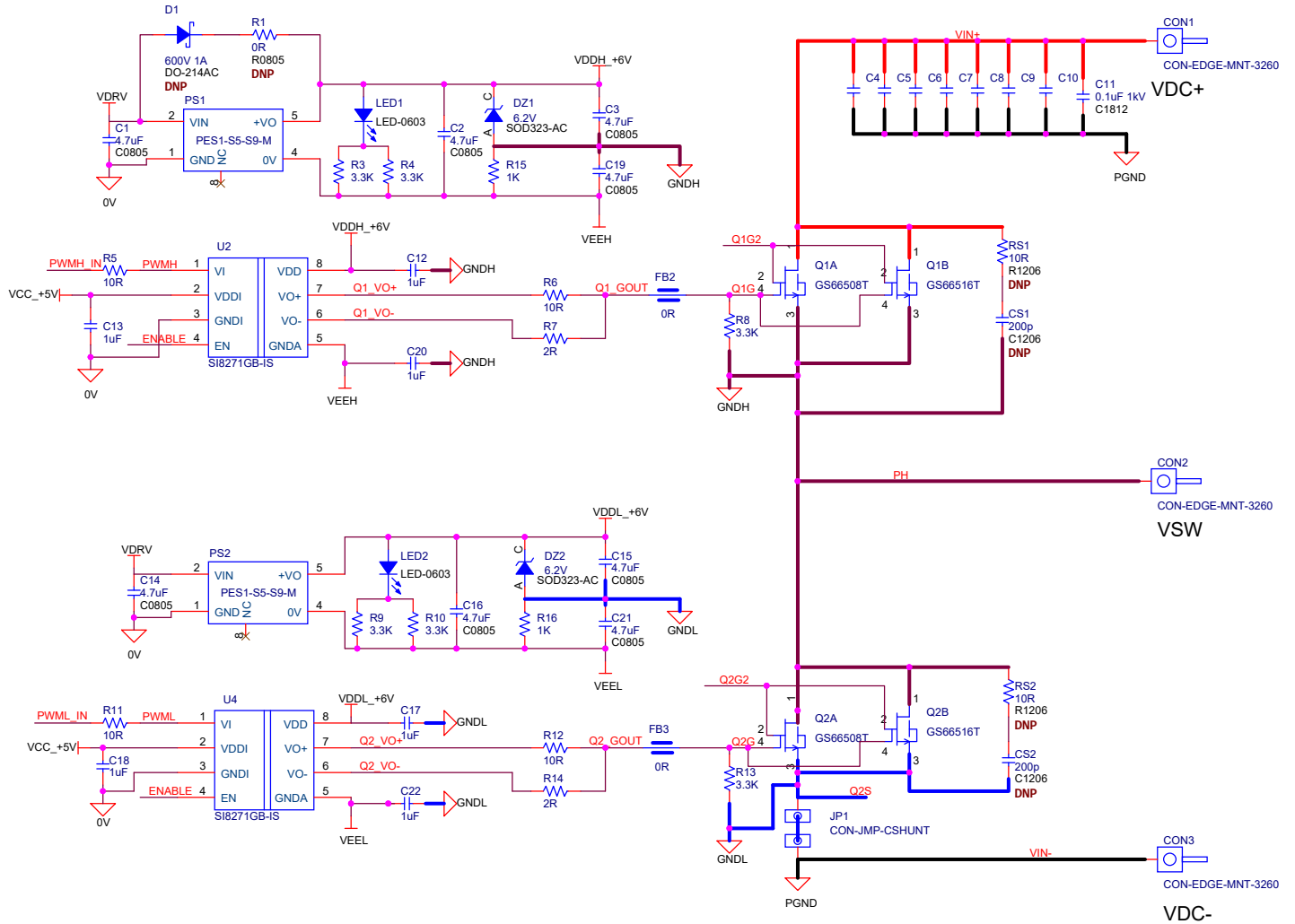
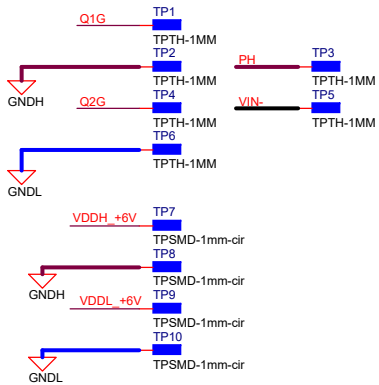


### INPUT CONNECTORS



### PROBE TEST POINT



Title		GaN Systems
CS665vT HALF BRIDGE DAUGHTER CARD		
Sheet Description		1145 Innovation Dr. Suite 101 Ottawa ON K2K 3G8
MAIN		
Document	Sheet	This document contains information proprietary to GaN Systems.
	1 of 1	
Date: Thursday, August 04, 2016		