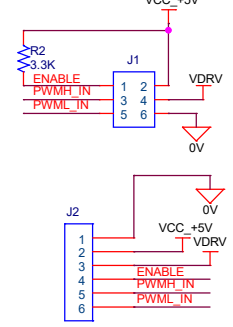
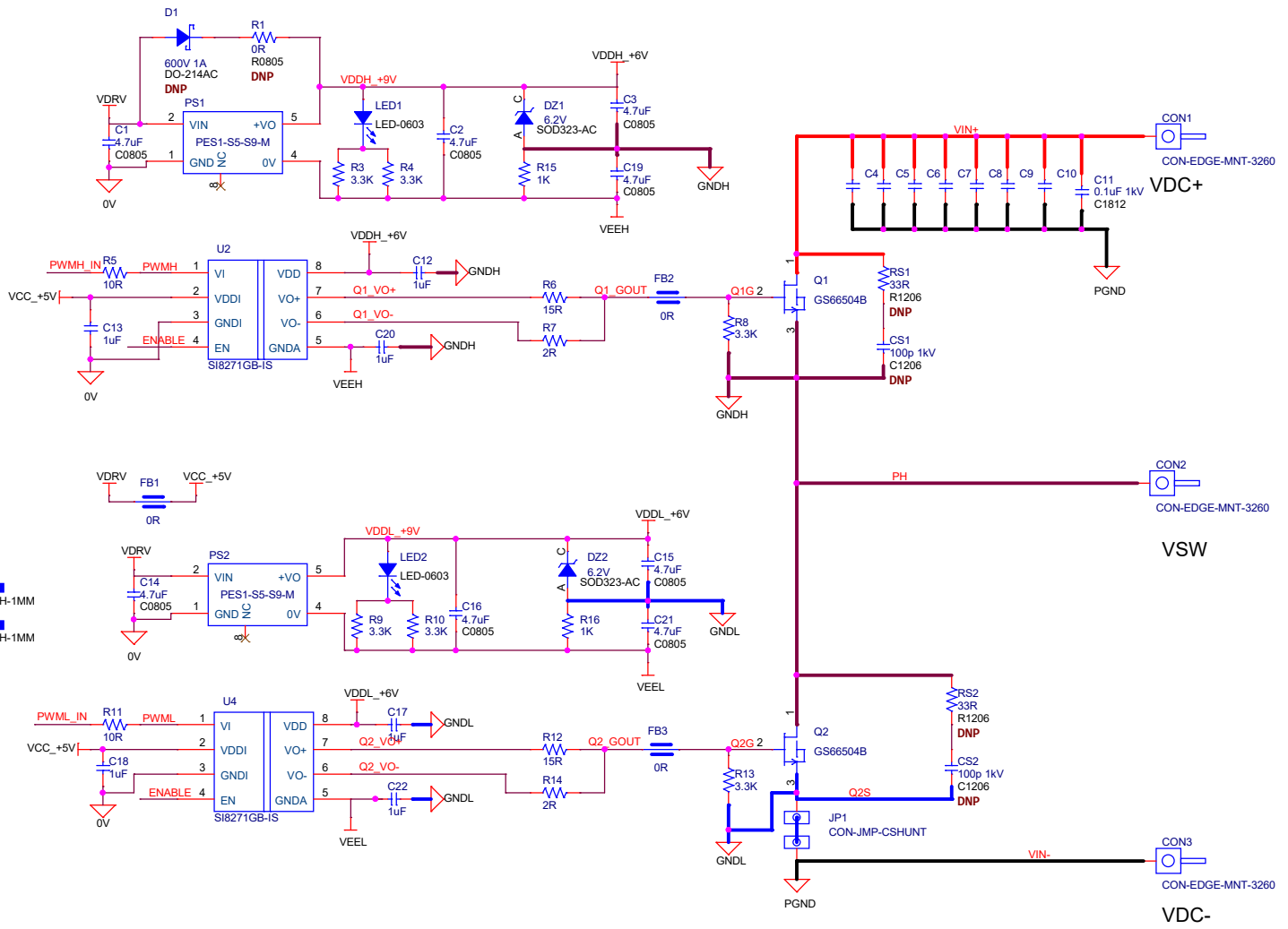
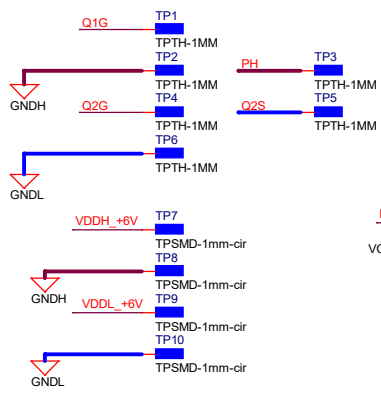


INPUT CONNECTORS



PROBE TEST POINT



Title		
Sheet Description		
Document		
Date: Sunday, November 20, 2016		
Sheet		1 of 1
Date: Sunday, November 20, 2016		1145 Innovation Dr. Suite 101 Ottawa ON K2K 3G8 This document contains information proprietary to GaN Systems.